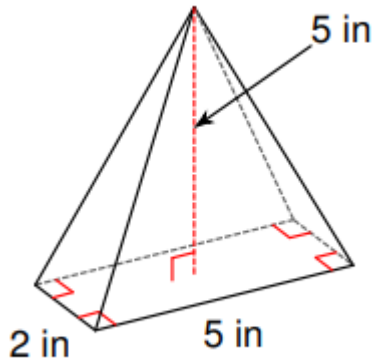


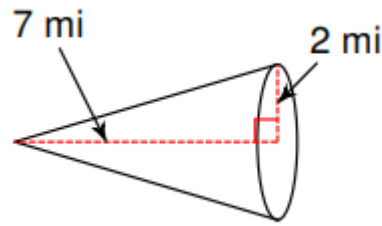
## Homework 11.2.1

Calculate the volume of each shape

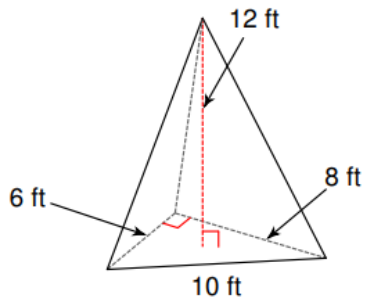
1)



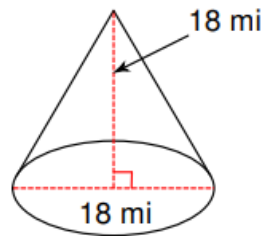
2)



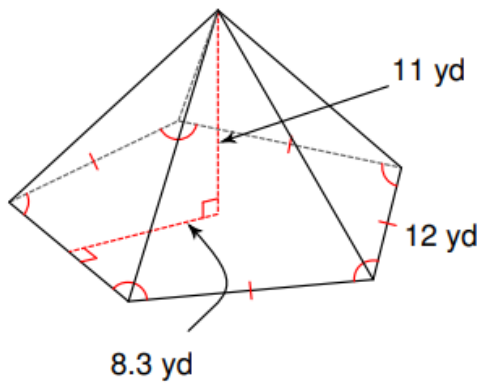
3)



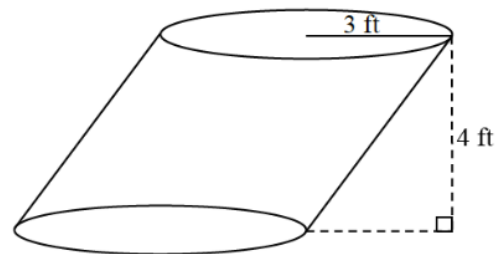
4)



5)

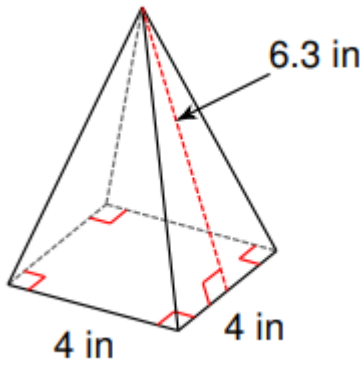


6)

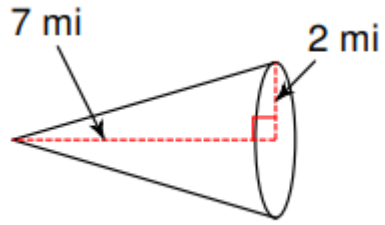


Calculate the surface area of each shape

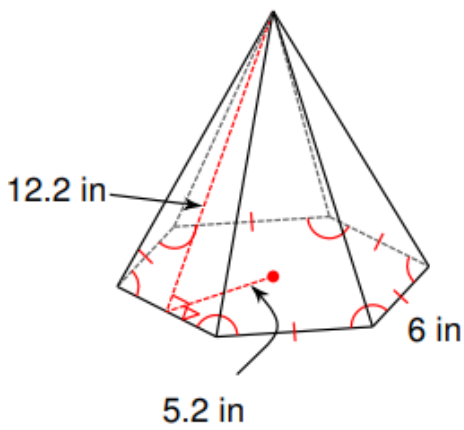
7)



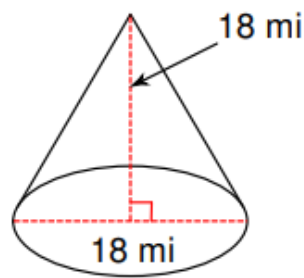
8)



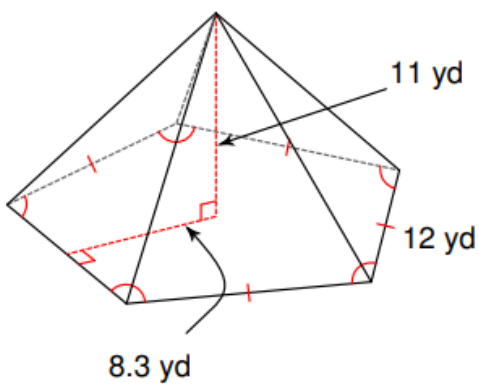
9)



10)



11)



12)

A rectangular pyramid measuring 4 in and 9 in along the base, with slant heights of 10.1 in and 9.2 in, respectively.